

## Elmasonic Select

### Technical Data - Mechanics

Elmasonic Select	30	40	60	80	100	120
Total capacity V (l)	2,7	3,9	5,9	9,3	9,5	12,9
Recom. operating capacity V <sub>a</sub> (l)	1,6	2,9	4,3	6,8	6,8	10,0
Unit ext. dimensions W / D / H (mm)	305 / 170 / 230	305 / 170 / 280	370 / 210 / 275	570 / 195 / 280	380 / 300 / 280	380 / 300 / 330
Opening dimensions W <sub>3</sub> / D <sub>3</sub> (mm)	235 / 135	235 / 135	295 / 145	500 / 135	295 / 235	275 / 235
Tank int. dimensions W <sub>2</sub> / D <sub>2</sub> / H <sub>2</sub> (mm)	220 / 120 / 95	215 / 115 / 145	275 / 125 / 145	475 / 110 / 145	280 / 220 / 145	300 / 215 / 195
Weight incl. cover (kg)	3,6	3,8	5,2	6,9	6,2	7,7
Drain hose - ID (mm)	--		12,0			
Basket int. dimensions W <sub>4</sub> / D <sub>4</sub> / H <sub>4</sub> (mm)	195 / 105 / 50	190 / 105 / 75	255 / 115 / 75	455 / 106 / 75	255 / 200 / 70	250 / 190 / 110
Total basket loading (kg)	1,0	3,0	5,0	5,0	6,0	7,0

Technical specifications serve as orientation values and are subject to tolerances due to production and manufacturing. Proper operation can only be guaranteed when using original Elma accessories.

## Elmasonic Select

### Technical Data - Mechanics

Elmasonic Select	150	180	300	500	900
Total capacity V (l)	14,6	17,8	27,5	49,7	89,0
Recom. operating capacity V <sub>a</sub> (l)	8,7	14,2	22,0	40,3	63,7
Unit ext. dimensions W / D / H (mm)	575 / 360 / 230	405 / 360 / 330	575 / 360 / 330	775 / 425 / 505	875 / 595 / 505
Unit ext. dimensions with open noise protection cover W / D <sub>1</sub> / H <sub>1</sub>	--			775 / 510 / 975	875 / 640 / 1145
Opening dimensions W <sub>3</sub> / D <sub>3</sub> (mm)	500 / 395	325 / 295	500 / 395	--	
Tank int. dimensions W <sub>2</sub> / D <sub>2</sub> / H <sub>2</sub> (mm)	485 / 280 / 95	300 / 270 / 195	475 / 270 / 195	500 / 330 / 290	600 / 500 / 285
Weight incl. cover (kg)	8,8	10,2	12,2	30,4	43,4
Weight incl. noise protection cover (kg)	--			34,7	49,3
Drain hose - ID (mm)	12,0			19,0	
Basket int. dimensions W <sub>4</sub> / D <sub>4</sub> / H <sub>4</sub> (mm)	455 / 250 / 45	280 / 250 / 115	455 / 250 / 110	460 / 300 / 195	545 / 460 / 190
Total basket loading (kg)	7,0	8,0	10,0	20,0	30,0

Technical specifications serve as orientation values and are subject to tolerances due to production and manufacturing. Proper operation can only be guaranteed when using original Elma accessories.

## Elmasonic Select

### Technical Data - Electronics and noise levels

Elmasonic Select	30	40	60	80	100	120	150	180	300	500	900
Mains voltage (V~)	220-240 / 115-120										
Mains frequency (Hz)	50 / 60										
Power consumption total (W)	320	550	750	550	1000	1100	1000	1500	2140	2960	
Ultrasonic power effective $\pm 10\%$ (W)	120	150	150	150	200	300	200	300	540	960	
Ultrasonic peak power max.** (W)	480	600	600	600	800	1200	800	1200	2160	3840	
Heating power (W)	200	400	600	400	800	800	800	1200	1600	2000	
Temperature (°C)	25 - 80										
Protection class	IP 20										
Sound pressure level (LpAU)***	< 80 dB										
Ultrasonic sound level (LpZ)***	< 110 dB										

\*\* The signal form of the wave results in a factor 4 for the ultrasonic peak max., depending on the modulation of the wave.

\*\*\* Measured sound pressure level with basket and cover at 1 m distance.

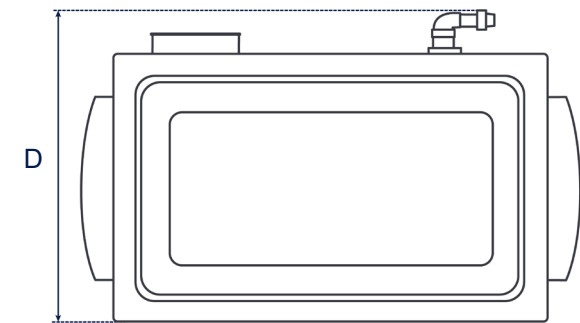
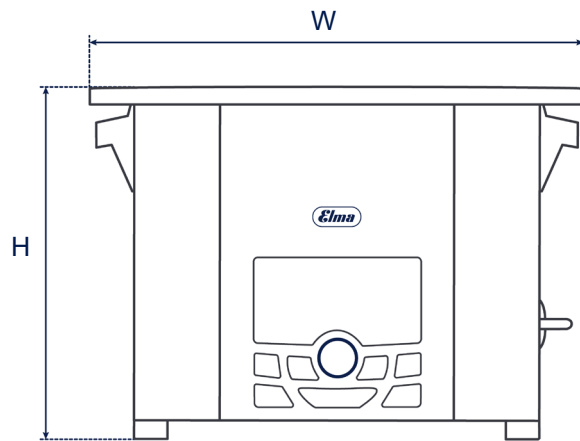
Technical specifications serve as orientation values and are subject to tolerances due to production and manufacturing. Proper operation can only be guaranteed when using original Elma accessories.

## Elmasonic Select

### Dimension definition

#### Unit outer dimensions

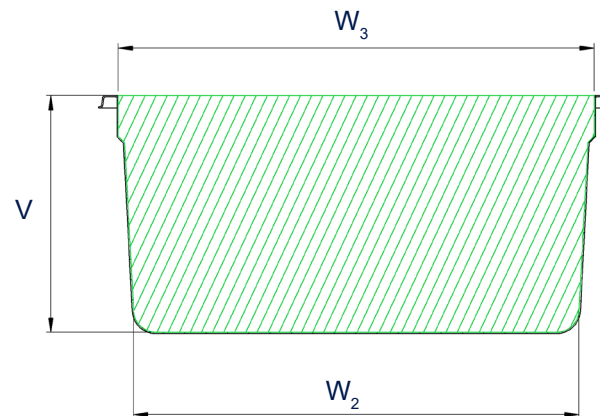
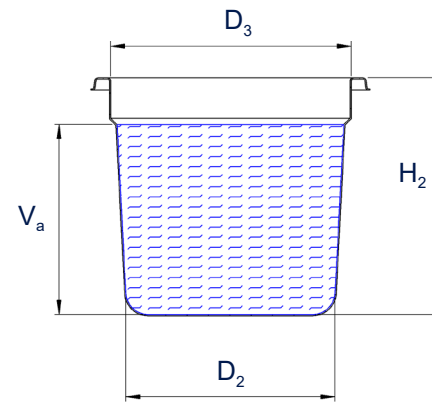
Elmasonic Select 30 - 300



#### Tank internal dimensions

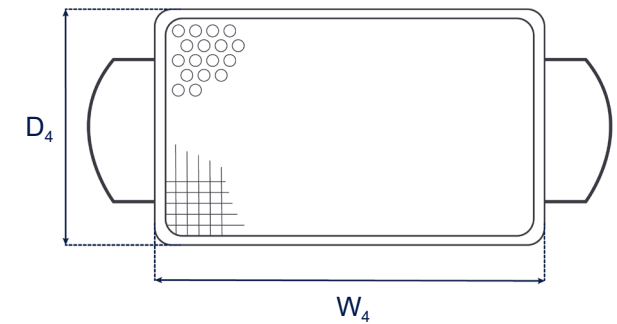
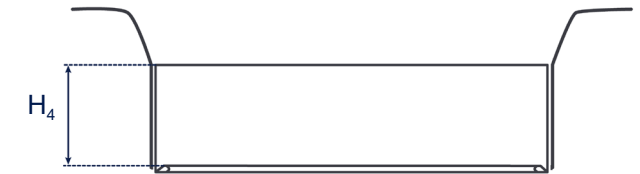
Elmasonic Select 30 - 300

$V_a$ : recommended operating capacity of the cleaning tank  
(The actual operating capacity depends on the load.)



#### Basket internal dimensions

Elmasonic Select 30 - 900



The drawings are meant as a visualization aid and are not true to scale.

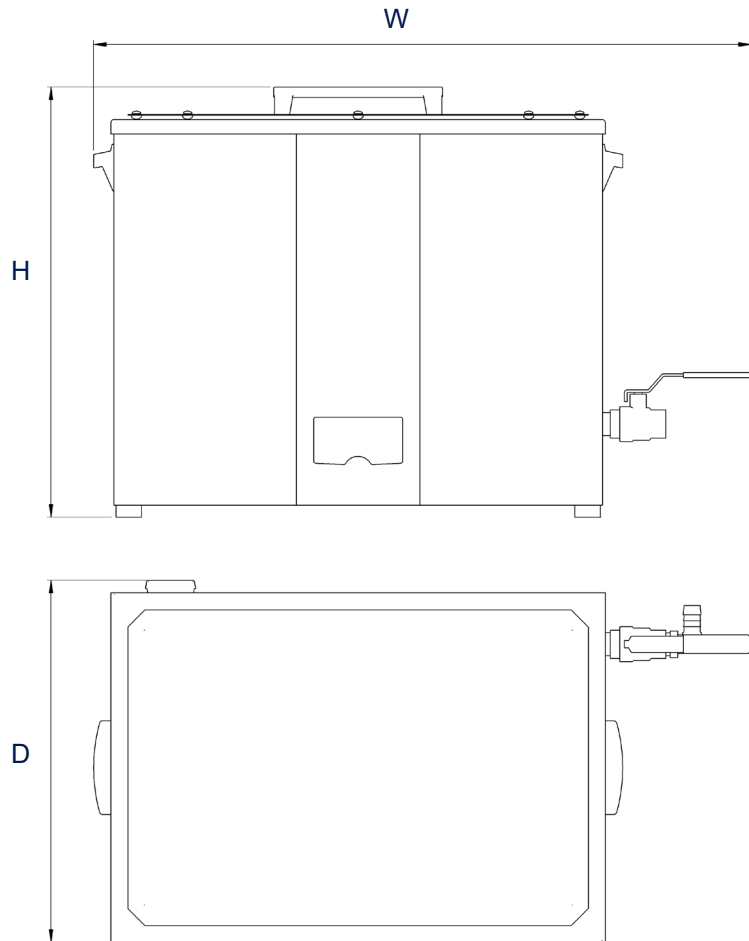
Technical specifications serve as orientation values and are subject to tolerances due to production and manufacturing. Proper operation can only be guaranteed when using original Elma accessories.

## Elmasonic Select

### Dimension definition

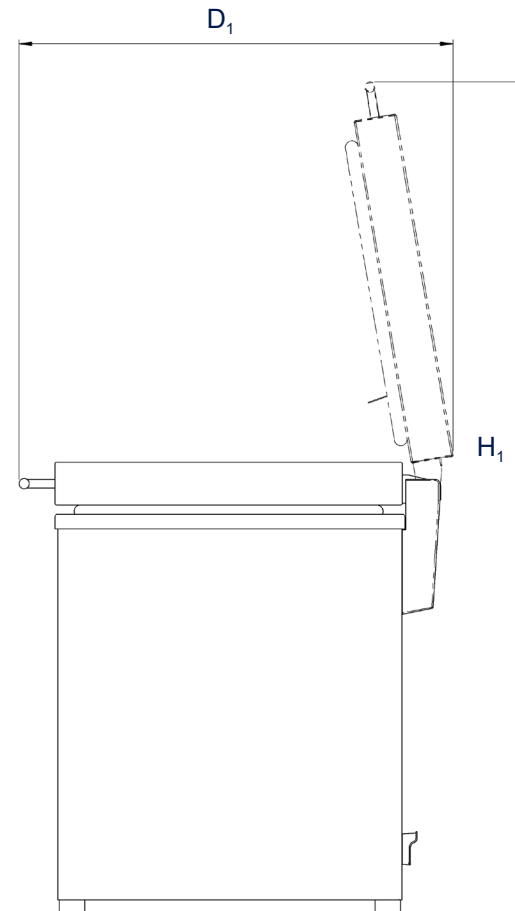
#### Unit outer dimensions

Elmasonic Select 500 / 900



#### Unit outer dimensions

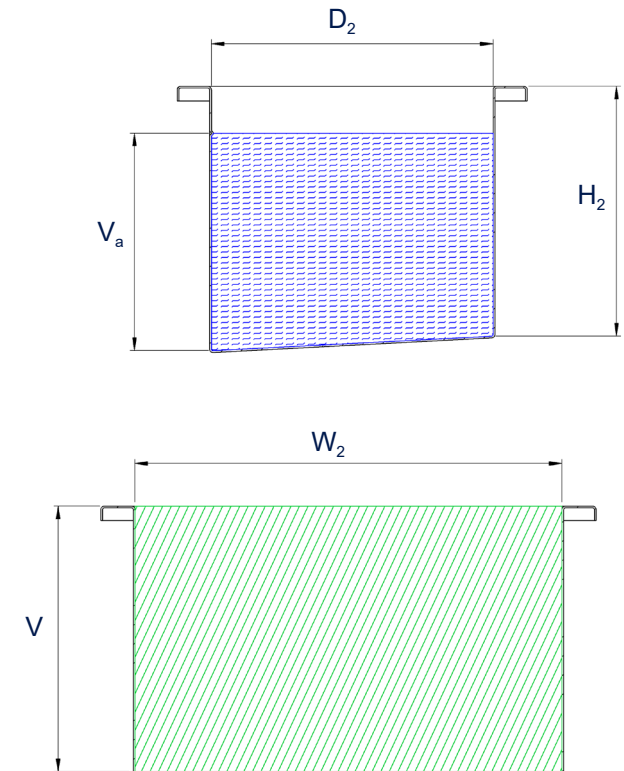
Elmasonic Select 500 and 900 with noise protection cover



#### Tank internal dimensions

Elmasonic Select 500 / 900

$V_a$ : recommended operating capacity of the cleaning tank  
(The actual operating capacity depends on the load.)



The drawings are meant as a visualization aid and are not true to scale.

Technical specifications serve as orientation values and are subject to tolerances due to production and manufacturing. Proper operation can only be guaranteed when using original Elma accessories.